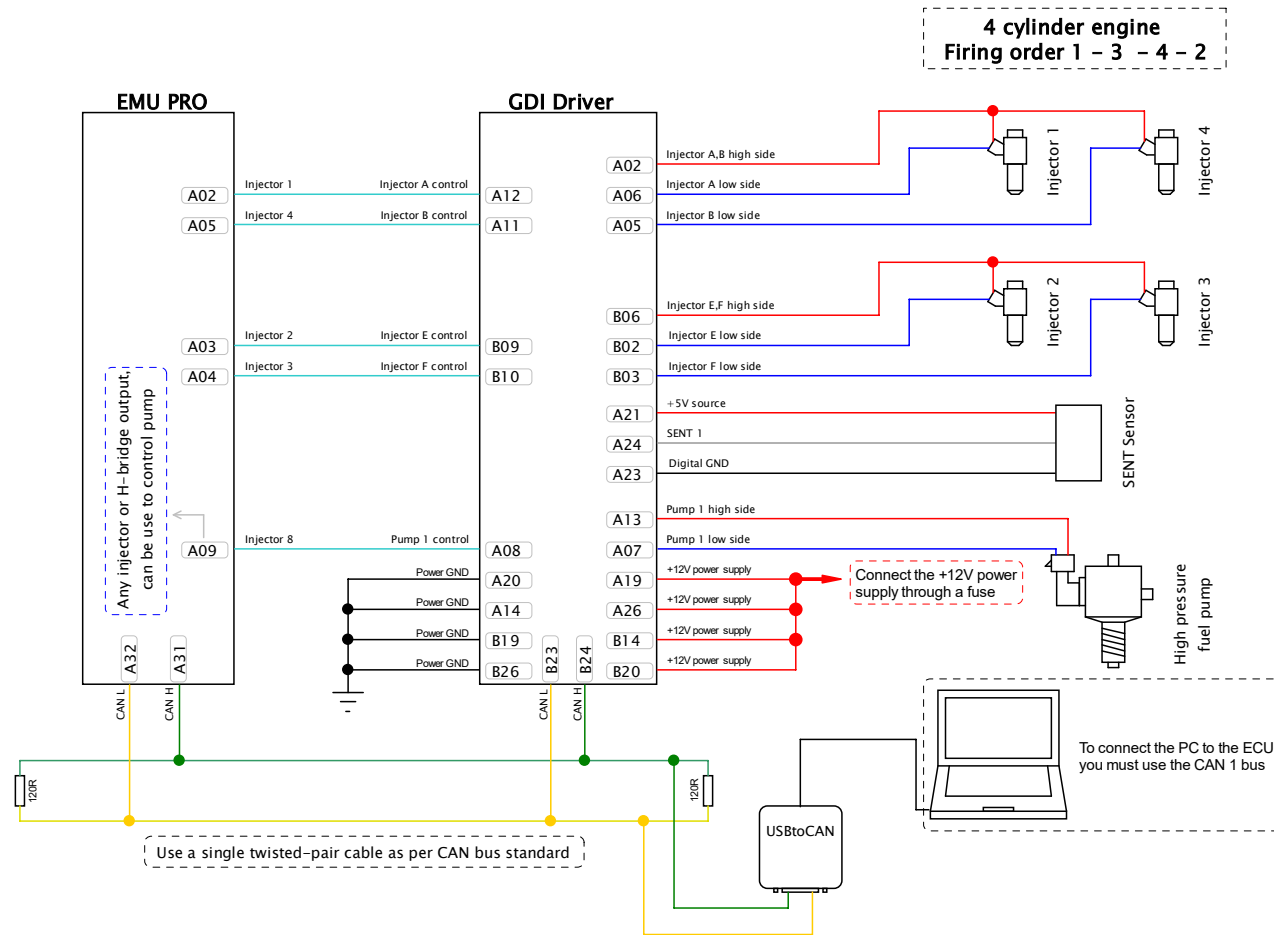


GDI Driver Wiring Example: Wiring Diagram for 4-Cylinder Engine

This is a wiring example. Different pins may need to be used in your specific case. Check the device pinout for more information about each pin.



Wire gauge	
Name	AWG
+12V power supply	16
Power Ground	16
Injector high side	20
Injector low side	20
Pump high side	20
Pump low side	20